



# Hidden cam hinge fixed fulcrum

For door weights from 12kg to 20kg

## Applications



**Built in oven**  
**Microwave oven**  
**Cooker**

## Geometry



**Footprint:** W, H, L  
**Fulcrum position (respect to the base):** X, Y  
**Parallel dimension (between base and receiver):** Q  
**Front frame – receiver distance:** K

## Technical features



**Fulcrum position** X=21mm Y=9mm  
**Parallel dimension Q:** 14mm  
**Footprint B:** 28.5mm  
**Fixing:** top or front

## Functionality



**Balancing:** 0°-88°  
**Closing force:** 30-70N based on application and customer needs.  
**Broil position:** available

## Removability



By means of holes on arm at open door

## Performance

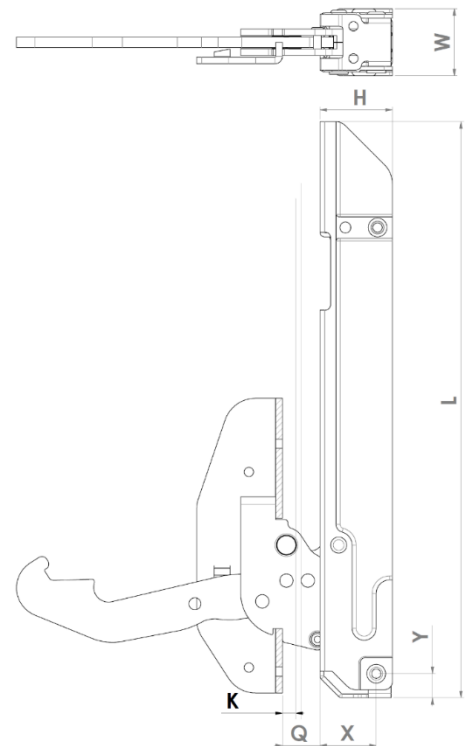


**Operating temperature:** 130°C  
**Static load:** up to 80lb (36.5kg)  
**Dynamic test:** up to 25.000 cycles (100.000 for microwave applications)

## Compliance



Compliant to VDE anti pinching



## Receiver



**Hole fixation spacing:** 85mm  
**Side fixation available**  
**Custom receiver possible based on customer needs**

2D Drawing

✓  
The following drawing shows the main functional dimensions.  
Possibility of customized designs based on customer needs

