

Hidden cam hinge fixed fulcrum

For door weights up to 9kg

Applications

- ▼
- Built in oven**
- Microwave oven**
- Cooker**

Geometry

- ▼
- Footprint:** W, H, L
- Fulcrum position (respect to the base):** X, Y
- Parallel dimension (between base and receiver):** Q
- Front frame – receiver distance:** K

Technical features

- ▼
- Fulcrum position** X=18mm Y=6.5mm
- Parallel dimension Q:** 15mm o 25.5mm
- Footprint H:** 24.5mm
- Fixing:** top or front

Functionality

- ▼
- Balancing:** 0°-88°
- Closing force:** 30-70N based on application and customer needs.
- Broil position:** available

Removability

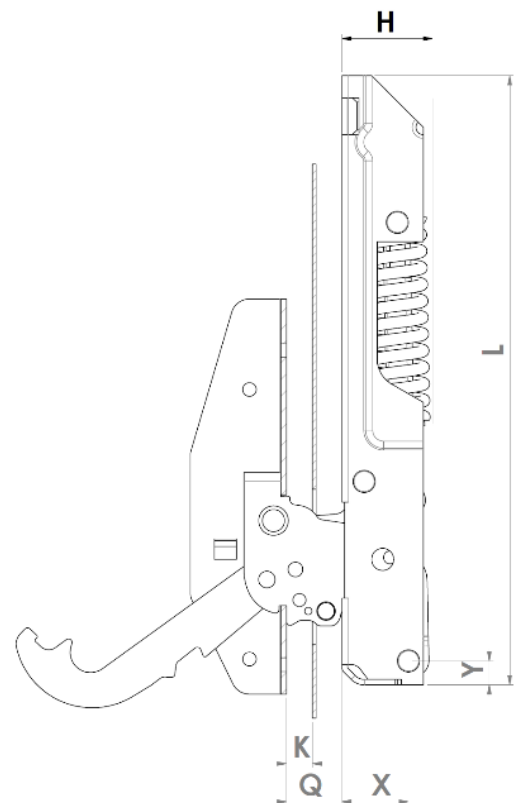
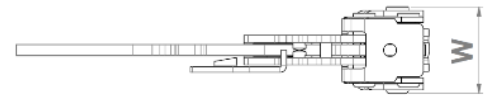
- ▼
- By means of holes on arm at open door

Performance

- ▼
- Operating temperature:** 130°C
- Static load:** up to 80lb (36.5kg)
- Dynamic test:** up to 25k cycles (100k for microwave applications)

Compliance

- ▼
- Compliant to VDE anti pinching



Receiver

- ▼
- Hole fixation spacing:** 85mm
- Side fixation available**
- Custom receiver possible based on customer needs**

2D Drawing

✓
The following drawing shows the main functional dimensions.
Possibility of customized designs based on customer needs

