

Hidden cam hinge fixed fulcrum

For door weights from 9 to 12kg

Applications

Built in oven
 Microwave oven
 Cooker

Geometry

Footprint: W, H, L
Fulcrum position (respect to the base): X, Y
Parallel dimension (between base and receiver): Q
Front frame – receiver distance: K

Technical features

Fulcrum position X=18mm Y=6.5mm
Parallel dimension Q: 15mm o 25.5mm
Footprint H: 27.5mm
Fixing: front or top

Functionality

Balancing: 0°-88°
Closing force: 30-70N based on application and customer needs.
Broil position: available

Removability

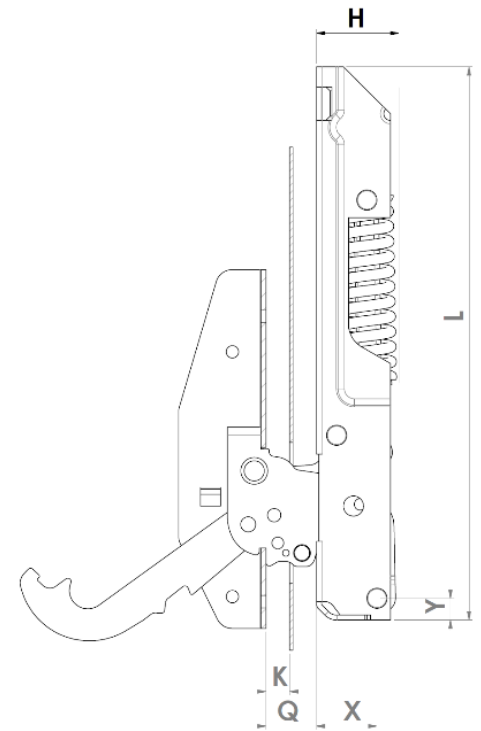
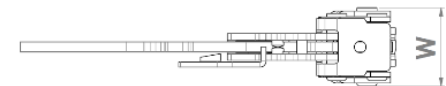
By means of holes on arm at open door

Performance

Operating temperature: 130°C
Static load: up to 80lb (36.5kg)
Dynamic test: up to 25.000 cycles (100.000 for microwave applications)

Compliance

Compliant to VDE anti pinching



Receiver

Hole fixation spacing: 85mm
Side fixation available
Custom receiver possible based on customer needs.

2D Drawing

✓
The following drawing shows the main functional dimensions.
Possibility of customized designs based on customer needs

