

Visible cam hinge variable fulcrum

For door weights up to 9kg

Applications

▼
Built in oven
Cooker

Geometry

▼
Footprint: W, H, L
Parallel dimension (between base and receiver): Q

Technical features

▼
Options for expansion
a. Expansion: 29mm
Parallel dimension Q: 10mm
b. Expansion: 31mm
Parallel dimension Q: 9mm
c. Expansion: 41mm
Parallel dimension Q: da 9mm a 11mm

Fixing: front or top

Functionality

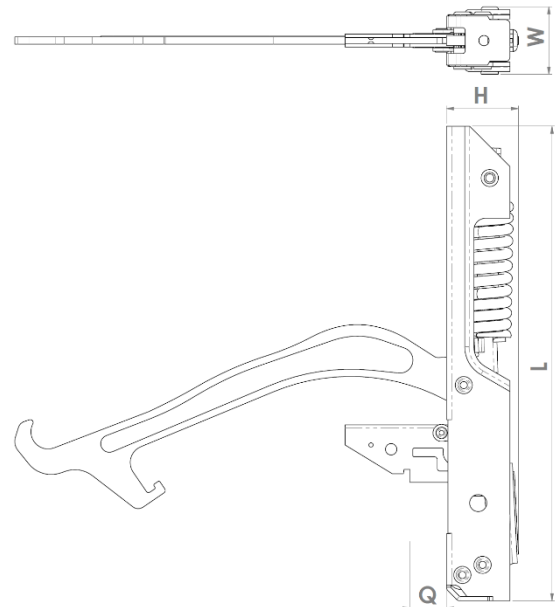
▼
Balancing: 0°-88°
Closing force: 30-70N based on application and customer needs.
Broil position: available

Removability

▼
By means of a releasing hook

Performance

▼
Operating temperature: 130°C
Dynamic test: up to 15.000 cycles



Compliance

▼
Compliant to VDE anti pinching

Receiver

▼
Hole fixation spacing: 94 or 91mm
Roller: steel or composite material based on customer needs

2D Drawing

✓
The following drawing shows the main functional dimensions.
Possibility of customized designs based on customer needs

